

Staccato

Industrial LED High Bay

Product Features

- High efficiency up to 160 lm/W
- Replacement for HID and fluorescent fixtures of up to 400W
- Convenient installation with options for hook, wall mounting and Y-cable
- IP66 protection rate and 10KV surge protection
- 1-10V dimming control for the whole product range
- Optional diffuser and reflector for glare prevention
- Reliable quality, manufacture capability, and global logistics by Delta Group 45-year establishment

Applications



Warehouse



Industrial



Transport



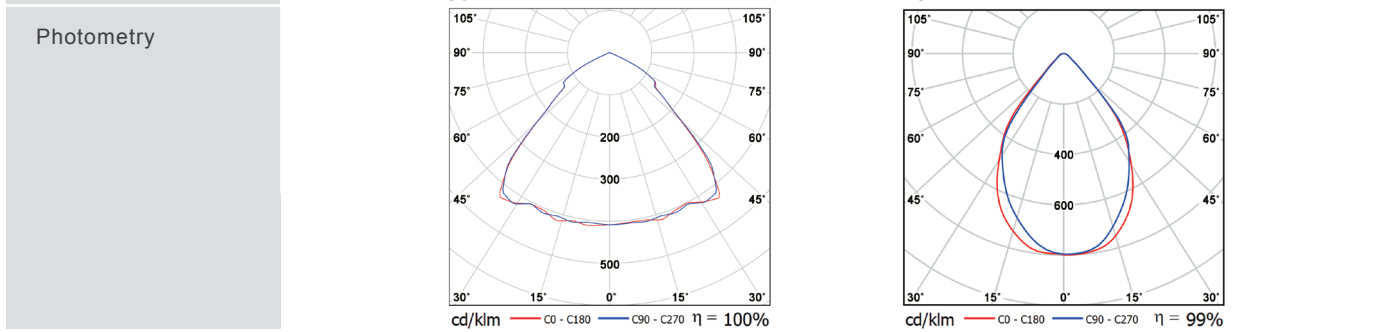
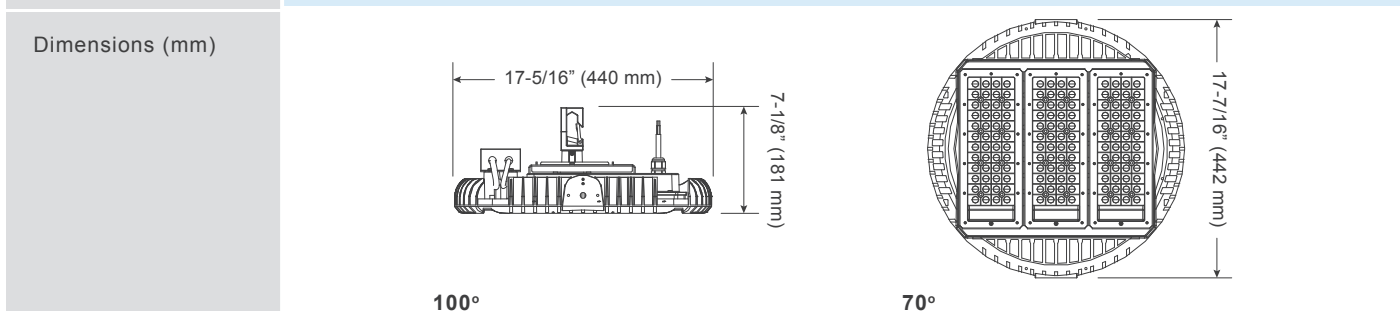
Factory

www.delta-emea.com



DELTA
Smarter. Greener. Together.

	HBDB85H00E	HBDBD5H00E	HBDBJ5H00E	HBDBG5H00E	HBDBH5H00E	HBDBL5x00E
Type of Product	Industrial Application					
Lumen Output (lm)	12000	18100	24000	24000	26000	24000/30000
Input Voltage (V)	AC 220 / 240 V					
Power (W)	85	125	190	150	170	200
Efficacy (lm/W)	141	145	125	160	152	125/152
CRI (Ra)	80					
CCT (K)	5000 (Other CCT Available: 3000K, 4000K)					
Power Factor	>0.90					
Operating Temp (°C)	-40° C / +55° C		-40° C / +60° C		-40° C / +55° C	
Optics	100°	100°	100°	100°	100°	70°/100°
Lifetime	100.000 hr / L 70					
Warranty	5 Years					
Mounting	Hook / Wall Mount / Y-cable					
Accessories	U-Bracket / Y-cable / Reflector					
Weight (kg)	8.5					



Remarks

70° optics under development for all models with high lumen output

Specifications are subject to change without notice.

2016 ver.en-1.0

Delta Electronics Europe

Zandsteen 15
 2132 MZ Hoofddorp, The Netherlands
 TEL: +31-20-655-0900
 FAX: +31-20-655-0999

For more product information and sales inquiries,
 please contact sleu@delta-europe.com
www.delta-emea.com/ledlighting

